

885



TrenchIntel

TrenchIntel
DGPS guidance system:
 Extra high precision 3D GPS system
 Automatic depth and grade control
 Autosteering to a predefined path
 Pass optimization and fleet control



TrenchTronic

TrenchTronic 3.1
Electronic Control with:
 Operator selectable digging pressure and automatic operation
 Fully automatic operation
 Remote diagnostic system



Re.M
Remote Control with:
 Machine data remote monitoring
 Fleet location management
 Troubleshooting information
 Operating conditions

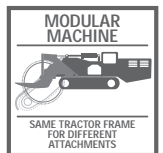


TRENCHING DIMENSIONS

0-3'3"
 0-100 cm
 4"-8"
 10-20 cm

FEATURES AND APPLICATIONS

Rocksaw trencher machine specially designed for underground network projects in urban areas. This model features a super offset digging back-end, tilting track system, and - as optional - an automatic cable laying system. TrenchTronic 3.1 equipped.



UNDERGROUND POWERLINES
 INSTALLATION



METROPOLITAN NETWORKS
 INSTALLATION



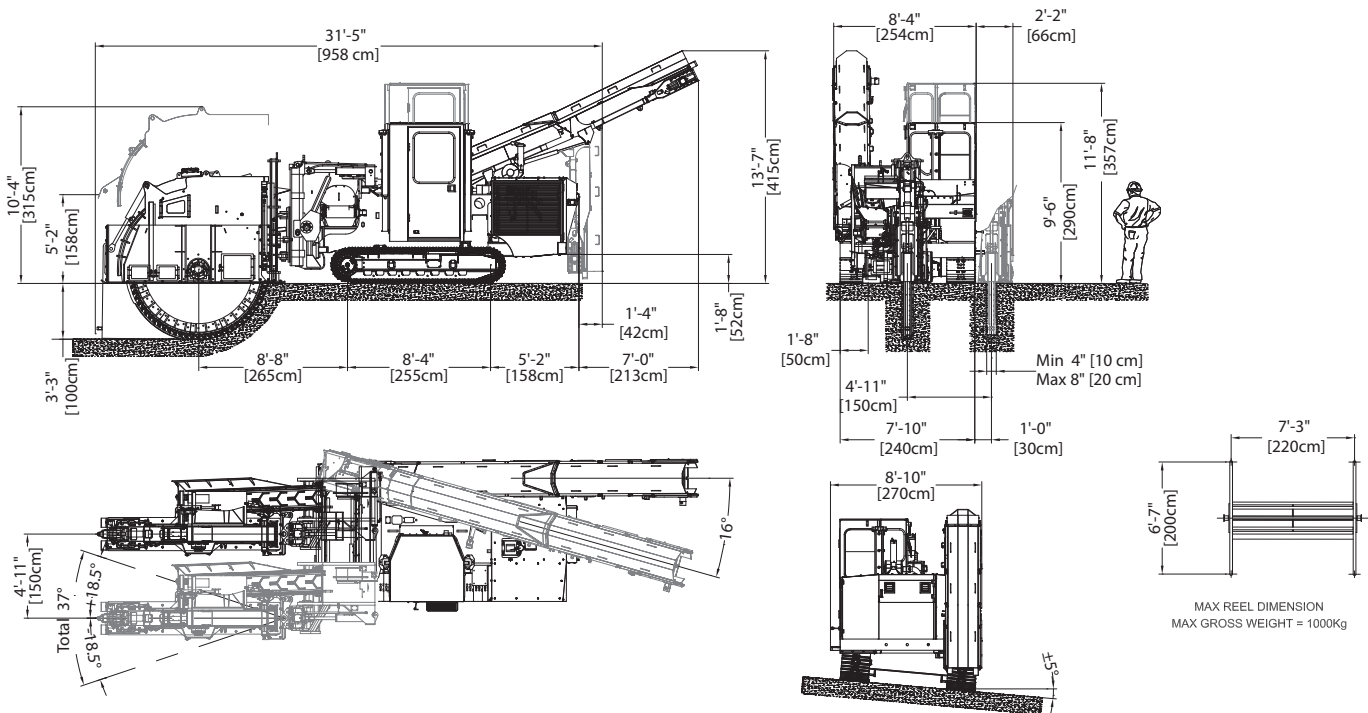
ACCESS NETWORKS INSTALLATION
 (TRENCHING OR TRENCHLESS)



OPTICAL FIBER INSTALLATION



UNDERGROUND CONNECTION
 NETWORKS INSTALLATION



885 ROCKSAW TECHNICAL SPECIFICATIONS

Standard Features

Pressurized cab with air conditioning, heating, sound suppression
 Elevating cab module with roll over protection (ROPS)
 Electrical system: 24 V
 Anti vibration isolator mounts: used on engine, radiator/oil cooler
 Fuel and hydraulic tank: pressurized and with locking caps
 Digging motor safety brake (Negative type, Spring applied)
 Doors in the wheel boom to allow picks replacement without needing to lift up the wheel

Trenching Dimensions

Depth.....1' 8"-3' 3" (50-100 cm)
 Standard widths.....4"-8" (10-20 cm)
 Offset from tractor centerline.....4' 11" (150 cm)
 Extra-offset (cab side).....12" (30 cm)
 Note: ask to Tesmec Trenchers Technical Department for the max width at max depth configuration

Engine

HIGHLY REGULATED COUNTRIES (EU, USA)
 Model.....CAT C7.1 ACERT Tier 4f / Stage IV
 Max horsepower.....250 hp (186 kW)
 Max no load rpm.....2.050 rpm
 Fuel tank capacity.....106 gal (400 l)
 Urea tank capacity.....9.1 gal (34,5 l)
 Fuel consumption.....13 gal/hr (49,2 l/hr) at full load
 Estimated max urea consumption at full load.....
4% of fuel consumption
 Cooling rating adequate for 122° F (50° C) ambient air temperature
 Air cleaner: dry type, 2 stages with dual pre-cleaner

LESSER-REGULATED COUNTRIES

Model.....CAT C7.1 ACERT Tier 3
 Max horsepower.....250 hp (186 kW)
 Max no load rpm.....2.050 rpm
 Fuel tank capacity.....106 gal (400 l)
 Fuel consumption.....13.23 gal/hr (50.1 l/hr) at full load
 Cooling rating adequate for 130° F (54,4° C) ambient air temperature
 Air cleaner: dry type, 2 stages with dual pre-cleaner

Operating and Transport Weight

Weight.....57,640 lbs (26.200 kg)
 Ground pressure.....12.1 psi (0.85 kg/cm²)
 Note: dependent on configuration and options

Trencher Drive

Hydrostatic: one variable displacement pump and one motor
 Infinitely variable digging disc speeds.....
0-1210 fpm (0-370 m/min)
 Cutters: 6/7" (2.2 cm) shank diameter, rotary carbide insert

Crawler Drive

Dual path, hydraulic drive, planetary transmissions with single lever steering, single lever direction
 Infinitely variable speed:
 forward and reverse.....0-1.6 mph (0-2,6 km/hr)
 Integral parking and service brake: spring applied, hydraulic release, wet disc brake

Tracks

Overall track length.....8' 4" (255 cm)
 Track pad type: triple grouser
 Track chain type: FL6
 Track pad width.....1' 8" (50 cm)
 Track tilt angle.....+5°/-5°

Hydraulic Transmission

Pressure and flow compensated (load sensing)
 Pump flow maximum.....46 gpm (175 l/min)
 Pressure setting.....2.500 psi (172 bar)
 Oil tank capacity.....80 gal (300 l)

Conveyor

WHEEL CONVEYOR

Pressure and flow compensated pump with dual hydraulic drive motors
 Belt speed infinitely variable...0-1150 fpm (0-350 m/min)
 Discharge direction: towards the cross conveyor
 Conveyor belt width.....1' 6" (45 cm)
 Conveyor belt length.....11' 4" (345 cm)

CROSS CONVEYOR

Pressure and flow compensated pump with dual hydraulic drive motors
 Belt speed infinitely variable...0-1150 fpm (0-350 m/min)
 Discharge direction: right or left
 Conveyor belt width.....1' 8" (50 cm)
 Conveyor belt length.....6' 1" (185 cm)

Transport Dimensions

Length with crumbshoe and truck loading conveyor.....31' 5" (958 cm)
 Width without truck conveyor.....8' 4" (253 cm)
 Height, tractor with cab.....9' 6" (290 cm)

Main Available Devices

ALL001 Air compressor
 ALL002 Side mounted truck loading conveyor - foldable and within transport dimension with short cross conveyor
 ALL004 Extended cross conveyor with hydraulic shift
 ALL012 Safety devices
 OPT002 Fuel pump
 OPT008 Rubber track pads
 OPT011 Subscription for the Remote Asset Management (monitoring via GPRS) per year
 OPT012 Work light package
 OPT014 Video Camera
 OPT020 Laying box (light or heavy)
 OPT021 Rollers
 OPT022 Reel carrier
 OPT023 Remote control for maintenance
 OPT025 Oil pump

For a complete devices list see the Available Devices chart