

SIDECUT SC3C CHAINSAW



SC3C is a 4 metric ton-class trencher featuring a 98.7 HP (73.6 kW) engine designed for the deployment of fiber optic networks in urban areas

STANDARD FEATURES

Productivity Exploit the productivity of Sidecut SC3C and chainsaw attachment, featuring an hydraulic offset of 42.5 (1' 5") right and 36.5 cm (1' 2") left, +/- 15° hydraulic tilt (rotation about horizontal axis) and +/- 29° hydraulic pivot (rotation about vertical axis). These are offered as standard with crumbshoe and security kit.

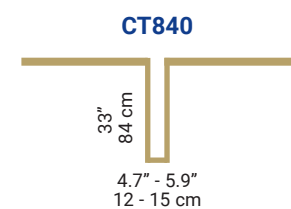
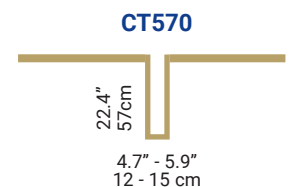
Maneuverability Enhance SC3C potential and its compact dimensions, articulated steering and a digging chain mounted on a 5-axis boom, which allows it to cut on sidewalks with limited disturbance to pedestrian and traffic during work, trench in curves and adapt to urban strains.

Remote control Experience the radio control system, which enables the operator to control the machine remotely, increasing the safety in site, the visibility on the trenching area and on the trenching tool.

OPTIONAL FEATURES

- Worklight
- Extra Offset 25 cm (10") right (axis trench to track edge)

TRENCHING DIMENSIONS



TRANSPORT DIMENSIONS

	METRIC	US
Length		
CT570	471.5 cm	15' 6"
CT840	521 cm	17' 1"
Width	110 cm	3' 7"
Height	176 cm	5' 9"
Weight		
CT570	4.540 Kg	10.009 lbs
CT840	4.680 Kg	10.300 lbs
Ground pressure		
CT570	0.70 kg/cm2	9,9 psi
CT840	0.73 kg/cm2	10,3 psi

ENGINE

	METRIC	US
Model and Max HP (kW)		
EU Stage IIIB - US EPA Tier 4i	98.7 HP (73.6 kW)	
Max no load rpm	2000 RPM	
Fuel tank capacity	160 L	42.3 gal
Fuel consumption	20 L/hr	5.3 gal/hr
Cooling rating	45°C ambient air	113°F ambient air
Air cleaner	Dry type, 2 stages with pre-cleaner and automatic dust ejection	

TRACKS

	METRIC	US
Track chain type	B2	
Track length	210 cm	6' 11"
Space idler / sprocket	160 cm	5' 3"
Track pad type	Rubber overmolded steel tiles	
Track pad width	20 cm	7.9"

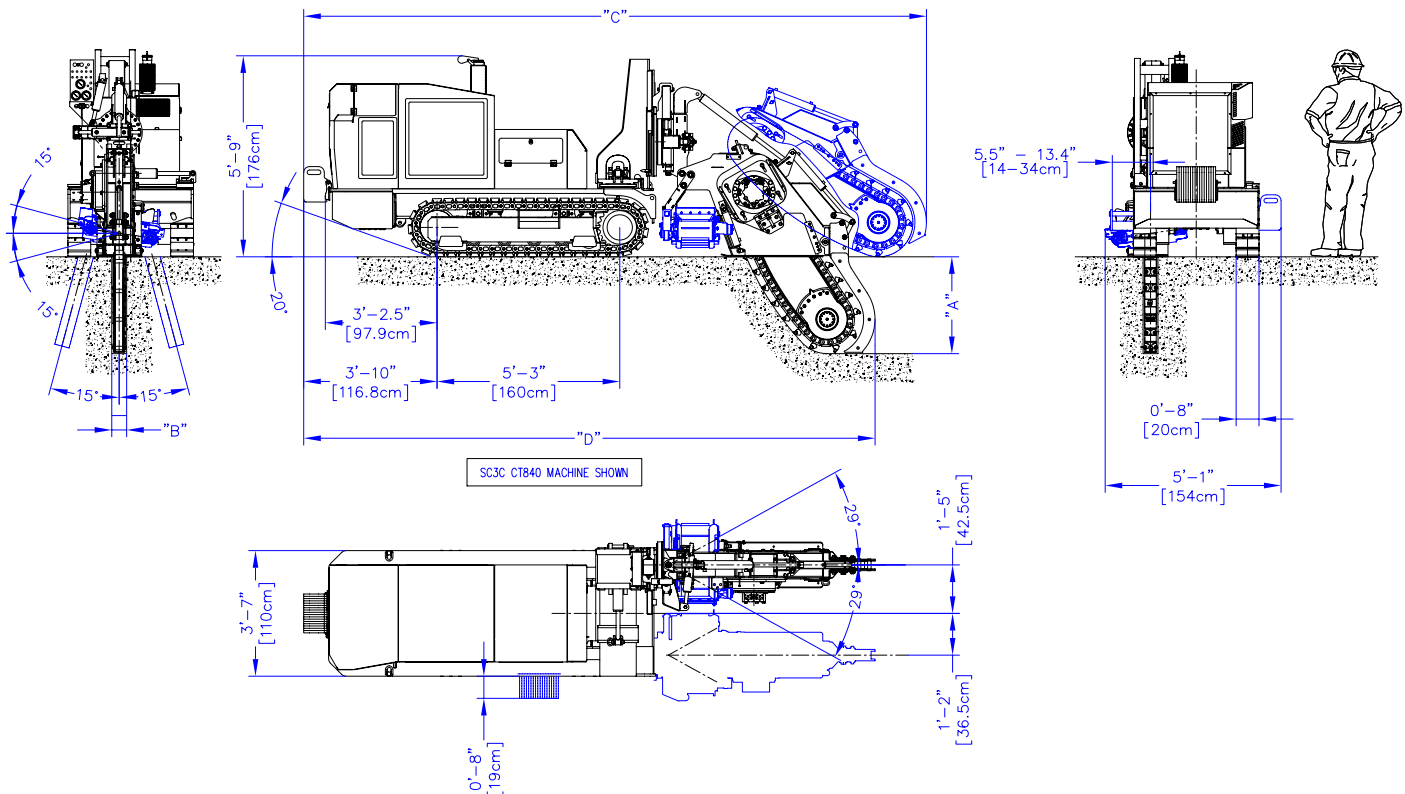
CRAWLER DRIVE

	METRIC	US
Drive	Dual path, hydrostatic, planetary transmissions	
	Full counter rotation with double lever steering and double lever direction	
Infinitely variable speed	Forward and reverse	
Transfer mode driving	0 - 0.8 km/h	0 - 0.5 mph
Work mode driving	0 - 50 m/h	0 - 164 fph
Parking and service brake	Hydraulic due to lack of pressure	

DIGGING DRIVE

	METRIC	US
Drive	Hydrostatic, one pumps and one motor	
Digging speed ranges	0 - 180 m/min	0 - 590 fpm
Cutters	Rotary carbide tipped	
Cutters shank diameter	2 cm	13/16"
Cutters gage	3.5 cm	1/8"

TOOL	"A"	"B"	"C"	"D"
CT570	1'-10" [57 cm]	Min 4.7" [12 cm] Max 5.9" [15 cm]	17" [518 cm]	15'-10" [484 cm]
CT840	2'-9" [84 cm]	Min 4.7" [12 cm] Max 5.9" [15 cm]	17'-10" [545 cm]	16'-5" [500 cm]



Pictures & drawings can be different according to technical specifications - Updating programme variations without notice are possible

TESMEC
draw the way forward